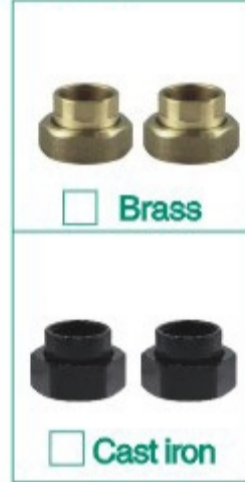
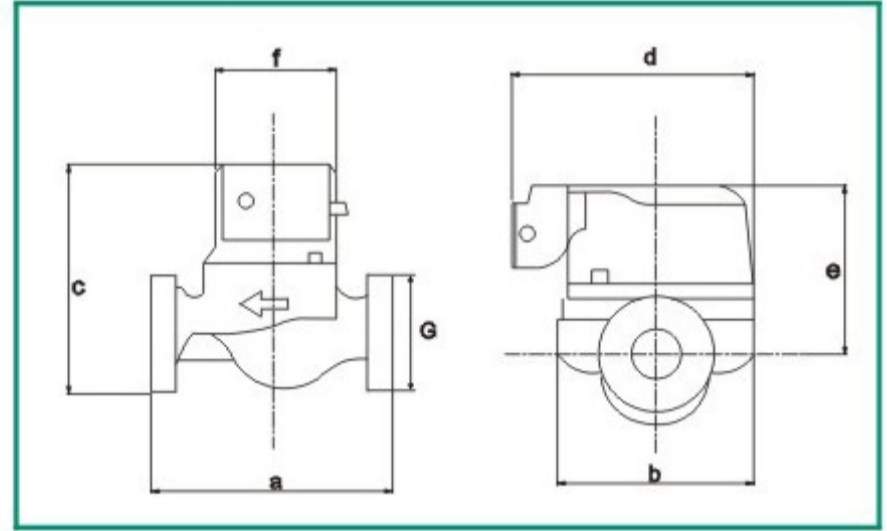




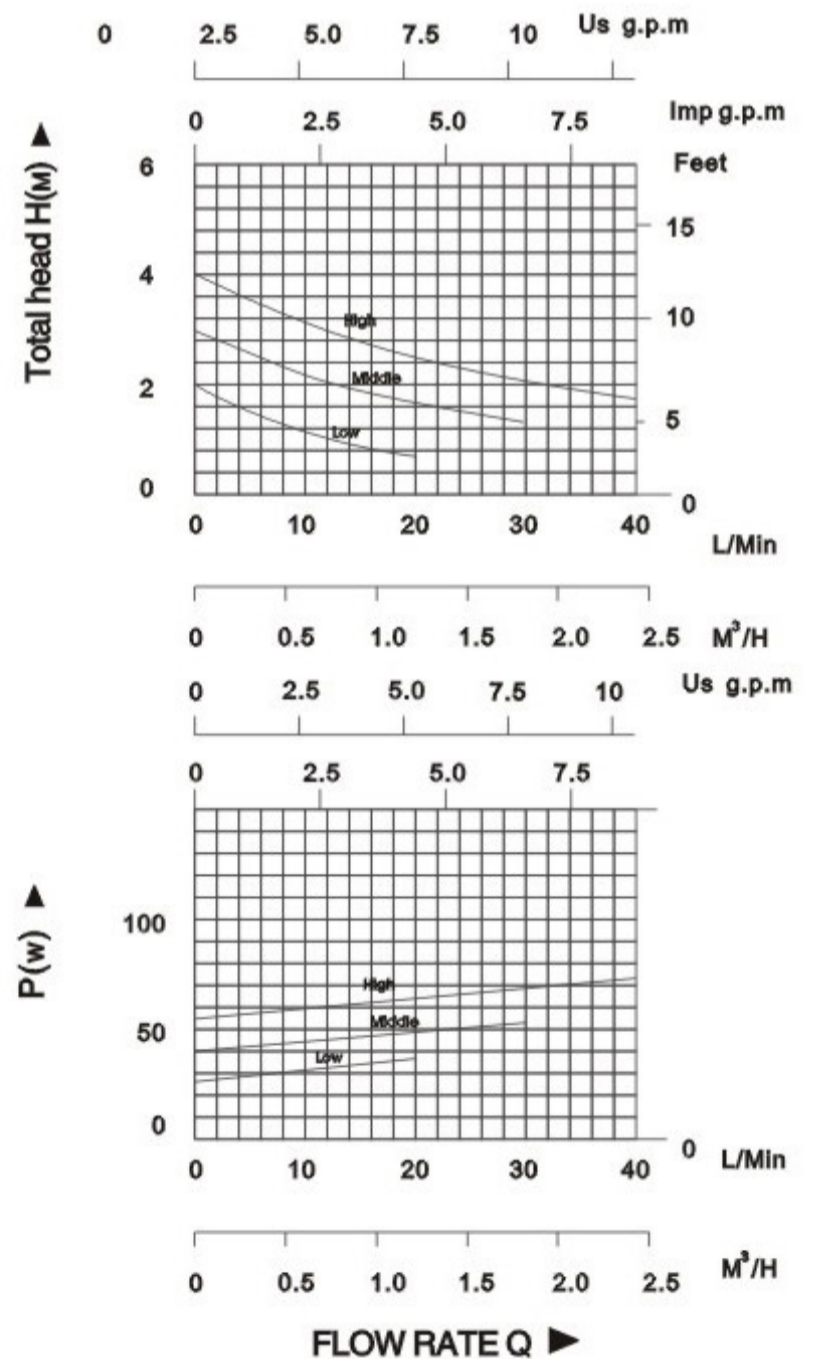
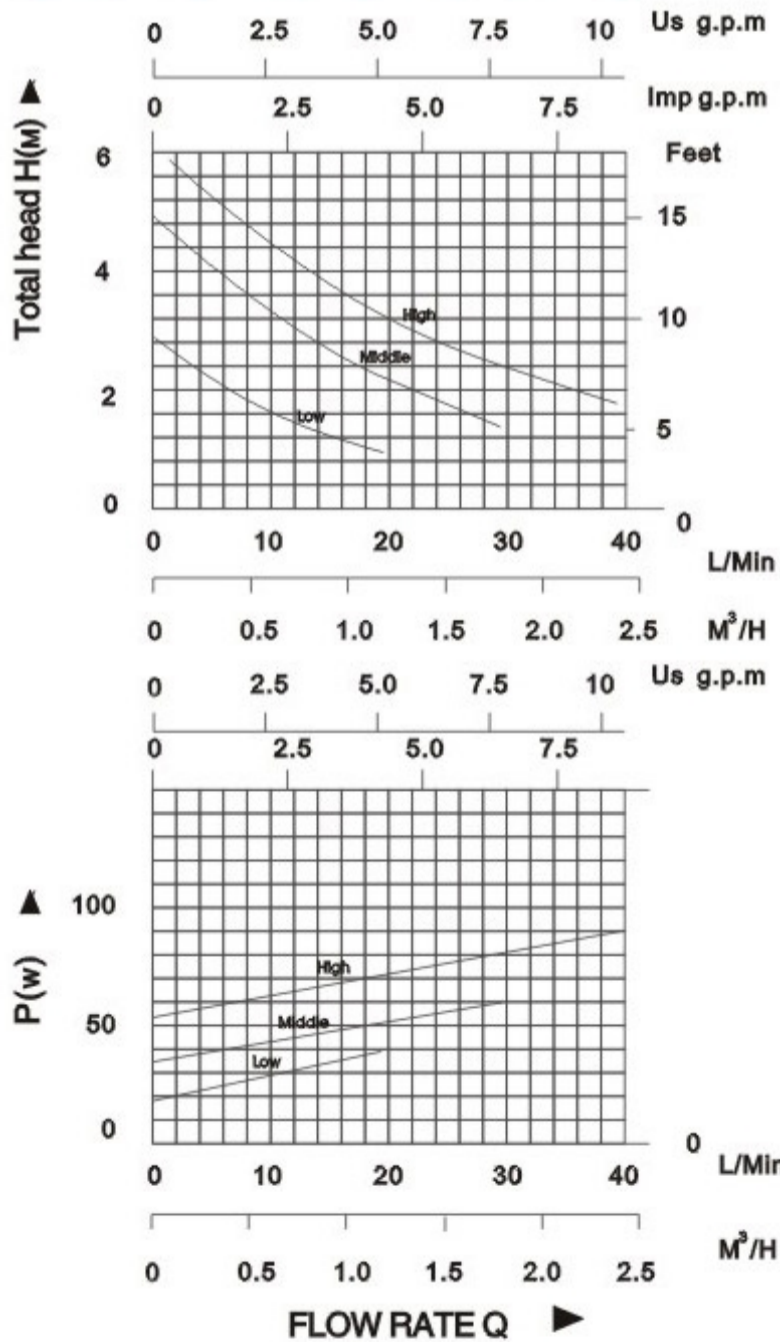
SELECT:



THIS DESIGN IS SUITABLE FOR ALL OF THE CIRCULATING PUMP MODELS



GRS	Rp	G	a	b	c	d	e	f
			mm					
GRS25/4	1.5"	1.5"M	130	90	125	120	100	80
GRS25/6	1.5"	1.5"M	180	90	125	120	100	80
GRS25/4	1.5"	1.5"M	180	90	125	120	100	80
GRS25/6	1.5"	1.5"M	130	90	125	120	100	80



PUMP MODEL	POWER		MAX. FLOW L/Min	MAX. HEAD M	INLET/OUTLET mm
	W	HP			
GRS25/6(High)	90	0.12	40	6	38 x 38(1.5")
GRS25/6(Middle)	60	0.08	30	5	38 x 38(1.5")
GRS25/6(Low)	40	0.05	20	3	38 x 38(1.5")

PUMP MODEL	POWER		MAX. FLOW L/Min	MAX. HEAD M	INLET/OUTLET mm
	W	HP			
GRS25/4(High)	72	0.09	40	4	38 x 38(1.5")
GRS25/4(Middle)	53	0.07	30	3	38 x 38(1.5")
GRS25/4(Low)	36	0.05	20	2	38 x 38(1.5")