

INTIEL

THE ELECTRONICS ON YOUR SIDE

AIR PURIFIER RELAY

User's Manual

1. Application

The Air purifier relay is designed to switch on by force ventilation systems when a concentration of CO, cigarette smoke, alcohol steams and other gases is over admissible levels. It is suitable for installation in restaurants, kitchens and other places where it is being required ventilation system switching on in case of air-pollution.

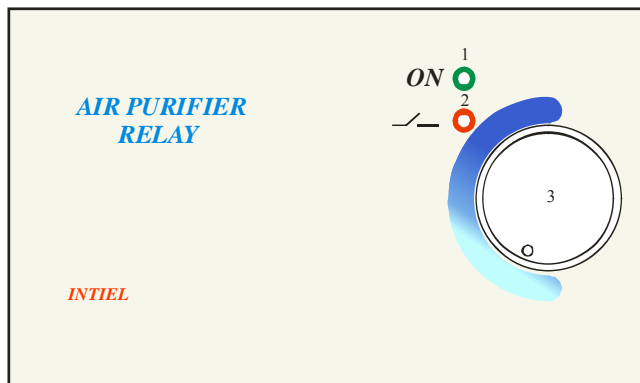
2. Technical data

- Power supply ~230V/50Hz
- Maximum current trough contacts 5A/~250V
- Outputs: 1 standard relay (changeover contacts)
- Regulation range:
CO 200 - 10000 ppm
- Time for sensor determination 60 sec.
- Working temperature from (-10 °C) up to (+50 °C)
- Humidity 35 - 80%
- Protection IP 20

3. Operation

The devise is equipped with one independent relay output, designed for a control of a ventilation system. In case of air pollution above the assigned levels the sensor switches on the relay output and indicates a state of switched on relay with a light indication. The previous mentioned state continues until the concentration of the air pollution is above assigned level. The device is able to react to increased concentration of liquid fuels, organic solvents, etc.

4. Front panel



Light indication ON – shows the power supply is on

Light indication  shows a switched on relay

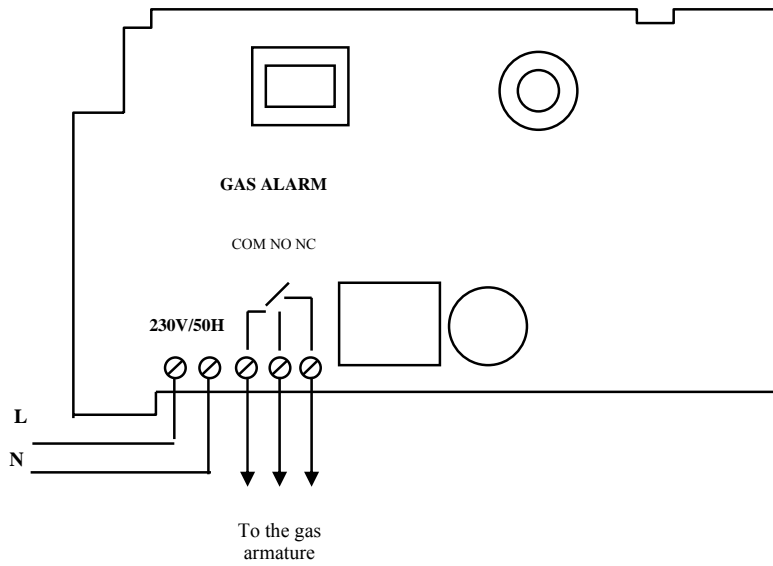
Trimmer for fixing the start level

5. Fixing the start level

The start level depends on the normative requirements to the premises, where the Air purifier relay is to be used. After the device is being connected to power supply it is necessary to wait for 60 sec. for sensor determination. The ventilation system in the premises is to be switched on in order to provide the desired level of air purity. By means of trimmer turning (figure 1, position 3) the device sensibility is being increased until the relay closes the contact, and afterwards it has to be turned back smoothly until the relay contact is being opened. The device is to remain in this fixed position.

6. Electrical connections

It includes connection of the device to the power supply and its relay output to the ventilation system according figure2.



7. Installation

The Air purifier relay is designed for a wall installation close to the source of air-pollution. The place of installation is to be waterproofed.

CAUTION! Do not cover the device or prevent in other way the air circulation around it!

8. Warranty

The warranty period is 24 months following the purchase date of the unit or its installation by an authorized Engineering Company, but not exceeding 28 months after the production date. The warranty is extended to the malfunctions that occur during the warranty period and are result of the production reasons or defective used parts.

The warranty does not relate to malfunctions corresponding to not-qualified installation, activities directed to the product body interference, not regular storage or transport.

The repairs during the warranty period can be done after correct filling of the manufacturer warranty card

Warranty Card

Manufacturer: INTIEL	
<i>Product type</i>	
<i>Production number</i>	
<i>Production date</i>	
Dealer confirmation	
<i>Purchase date</i>	
<i>Invoice number</i>	
<i>Dealer's name, address and stamp</i>	
<i>Seller's name and signature</i>	
Installation Date	
<i>Date</i>	
<i>Company (address, stamp)</i>	
<i>Installer's name and signature</i>	