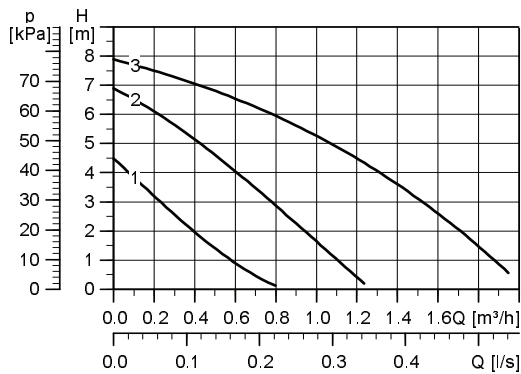


SOLAR 15-80

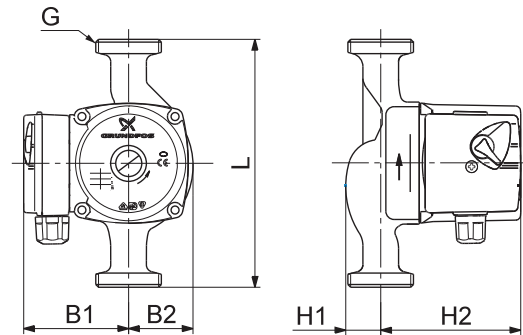
1 x 230 V, 50 Hz



TM04 5019 24/09

Speed	P ₁ [W]	I _{1/1} [A]
3	80	0.36
2	65	0.30
1	50	0.24

The pump has a built-in thermal switch and requires no additional motor protection.



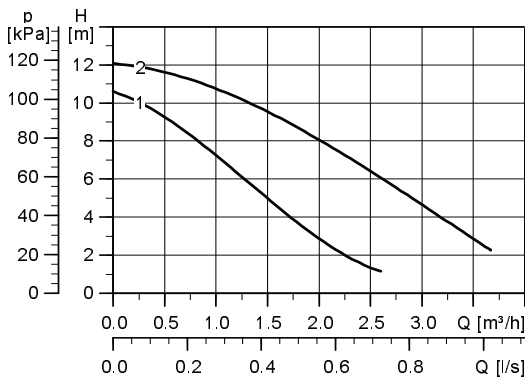
TM00 9386 2/105

Connections: See *Pipe connections* on page 52
 System pressure: Max. 10 bar
 Liquid temperature: +2 °C to +95 °C (TF 110)

Pump type	Dimensions [mm]						Weights [kg]		Ship. vol. [m ³]
	L	H1	H2	B1	B2	G	Net	Gross	
SOLAR 15-80	130	32	103	75	54	1	2.6	2.8	0.004

SOLAR 25-120

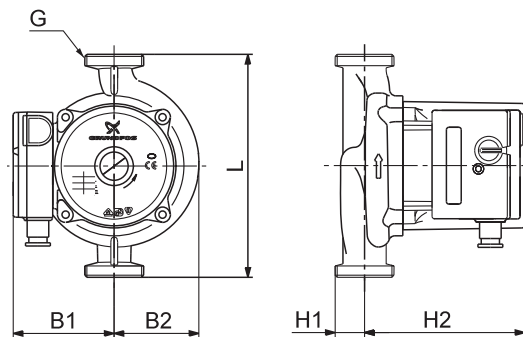
1 x 230 V, 50 Hz



TM04 5020 24/09

Speed	P ₁ [W]	I _{1/1} [A]
2	180	0.79
1	230	1.01

The pump has a built-in thermal switch and requires no additional motor protection.



TM02 1329 2/105

Connections: See *Pipe connections* on page 52
 System pressure: Max. 10 bar
 Liquid temperature: +2 °C to +95 °C (TF 110)

Pump type	Dimensions [mm]						Weights [kg]		Ship. vol. [m ³]
	L	H1	H2	B1	B2	G	Net	Gross	
SOLAR 25-120	180	32	130	82	69	1 1/2	2.6	2.8	0.004