
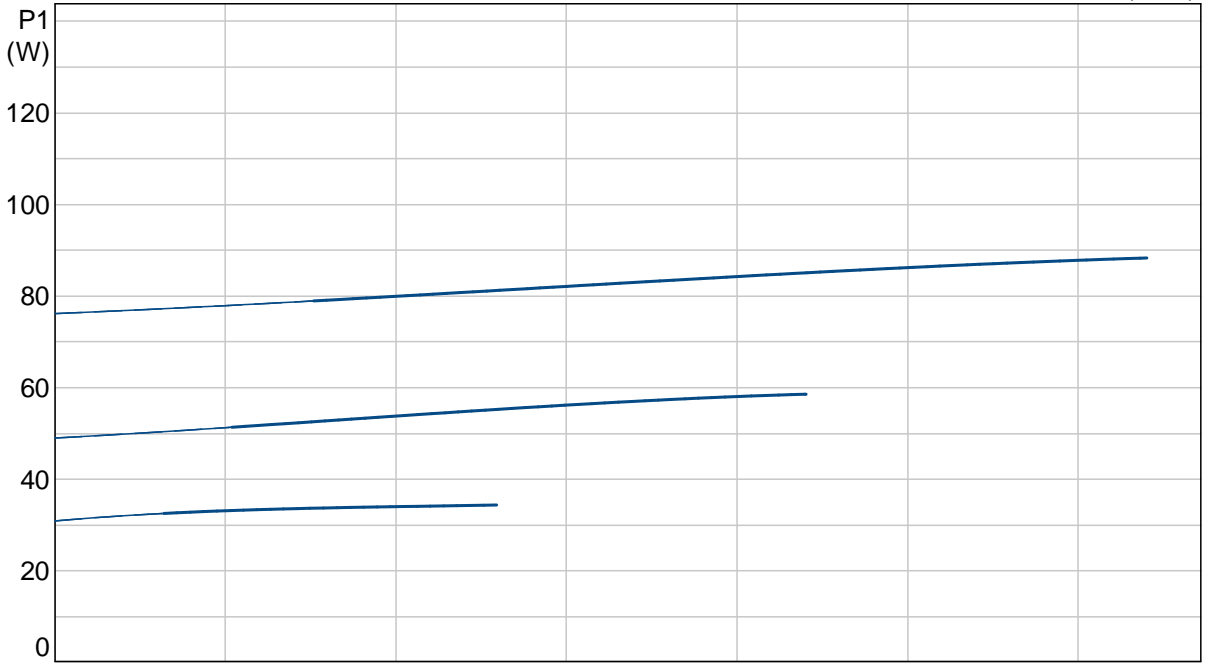
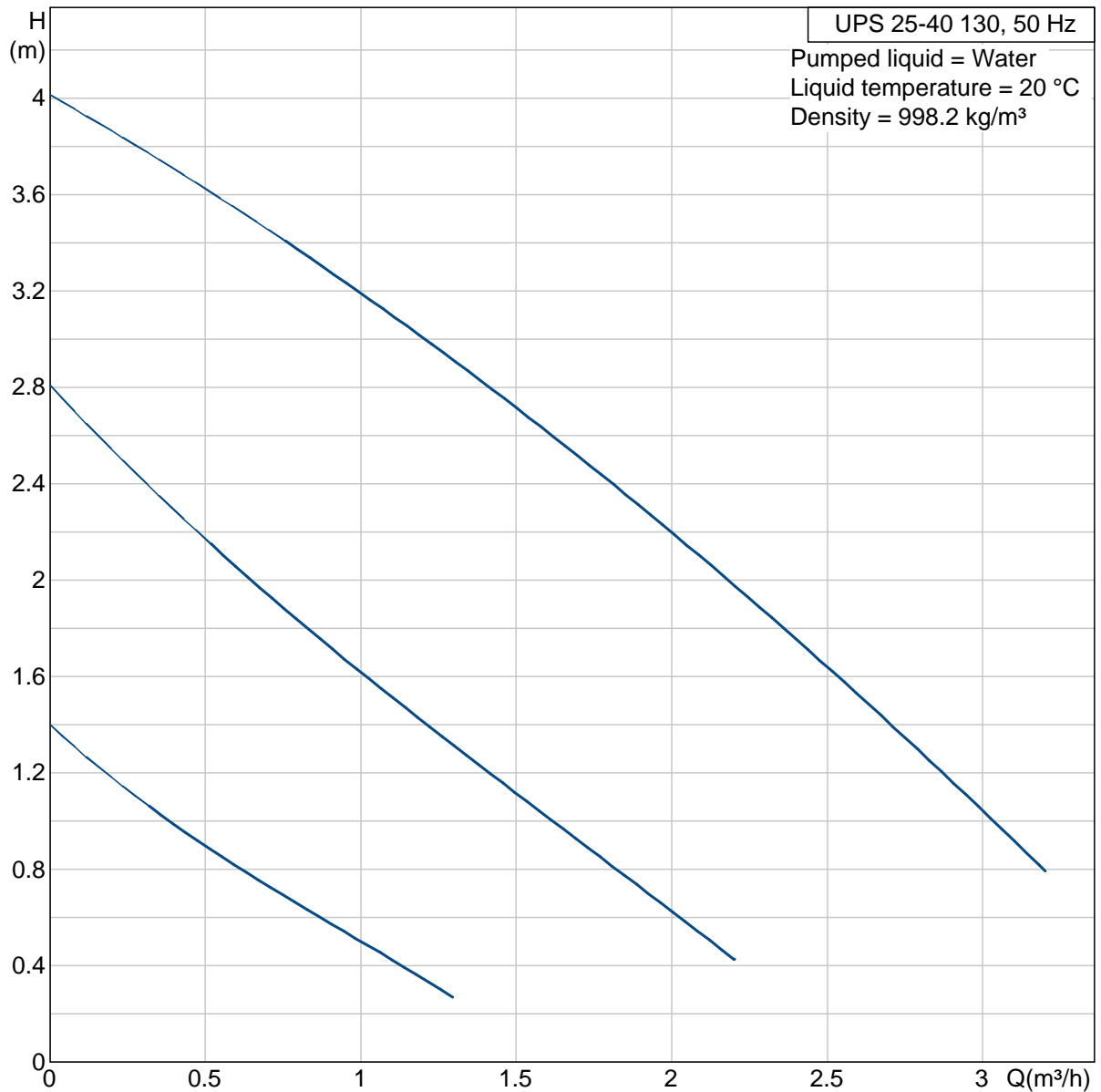


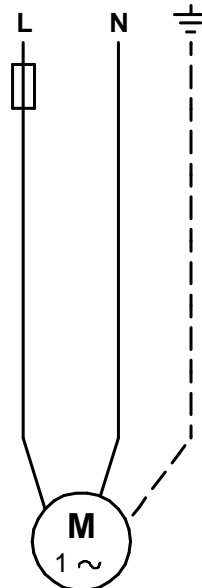
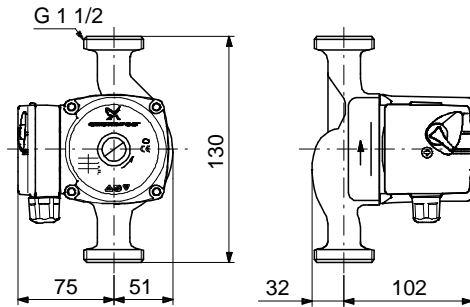
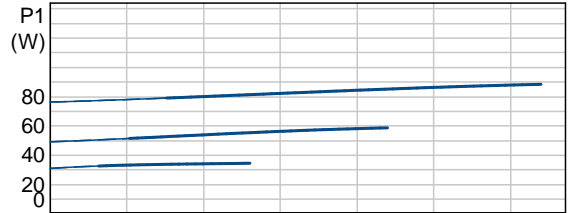
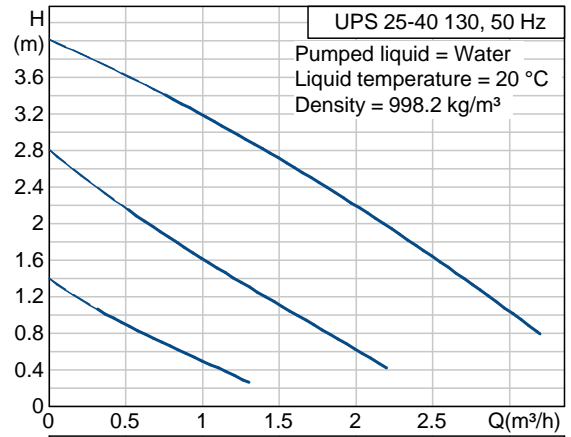
Position	Qty.	Description	Single Price																																										
	1	<p data-bbox="336 159 502 181">UPS 25-40 130</p> <div data-bbox="336 188 716 613" style="border: 1px solid black; text-align: center;">  </div> <p data-bbox="721 584 1257 607">Note! Product picture may differ from actual product</p> <p data-bbox="336 645 587 667">Product No.: 59524600</p> <p data-bbox="336 674 858 813">The pump is of the canned rotor type, i.e. pump and motor form an integral unit without shaft seal and with only two gaskets for sealing. The bearings are lubricated by the pumped liquid. The pump has 3-step speed selector.</p> <p data-bbox="336 819 662 842">The pump is characterized by:</p> <ul data-bbox="373 848 948 987" style="list-style-type: none"> * Ceramic shaft and radial bearings. * Carbon axial bearing. * Stainless steel rotor can and bearing plate. * Corrosion-resistant impeller, Composite, PES/PP. * Cast iron pump housing. <p data-bbox="336 1016 788 1070">The motor is a 1-phase motor. No additional motor protection is required.</p> <p data-bbox="336 1099 416 1122">Liquid:</p> <table data-bbox="336 1128 831 1218"> <tr> <td>Liquid temperature range:</td> <td>2 .. 110 °C</td> </tr> <tr> <td>Liquid temp:</td> <td>20 °C</td> </tr> <tr> <td>Density:</td> <td>998.2 kg/m³</td> </tr> </table> <p data-bbox="336 1247 456 1270">Technical:</p> <table data-bbox="336 1276 743 1330"> <tr> <td>TF class:</td> <td>110</td> </tr> <tr> <td>Approvals on nameplate:</td> <td>CE</td> </tr> </table> <p data-bbox="336 1359 448 1382">Materials:</p> <table data-bbox="336 1388 919 1509"> <tr> <td>Pump housing:</td> <td>Cast iron EN-JL1030 ASTM 30 B</td> </tr> <tr> <td>Impeller:</td> <td>Composite, PES/PP</td> </tr> </table> <p data-bbox="336 1538 472 1561">Installation:</p> <table data-bbox="336 1568 791 1711"> <tr> <td>Amb. max at 80 dgr C liquid:</td> <td>80 °C</td> </tr> <tr> <td>Maximum operating pressure:</td> <td>10 bar</td> </tr> <tr> <td>Pipe connection:</td> <td>G 1 1/2</td> </tr> <tr> <td>Pressure stage:</td> <td>PN 10</td> </tr> <tr> <td>Port-to-port length:</td> <td>130 mm</td> </tr> </table> <p data-bbox="336 1740 507 1762">Electrical data:</p> <table data-bbox="336 1769 804 2024"> <tr> <td>Power input in speed 1:</td> <td>40 W</td> </tr> <tr> <td>Power input in speed 2:</td> <td>70 W</td> </tr> <tr> <td>Max. power input:</td> <td>115 W</td> </tr> <tr> <td>Mains frequency:</td> <td>50 Hz</td> </tr> <tr> <td>Rated voltage:</td> <td>1 x 240 V</td> </tr> <tr> <td>Current in speed 1:</td> <td>0.17 A</td> </tr> <tr> <td>Current in speed 2:</td> <td>0.29 A</td> </tr> <tr> <td>Current in speed 3:</td> <td>0.47 A</td> </tr> <tr> <td>Capacitor size - run:</td> <td>2 µF</td> </tr> </table>	Liquid temperature range:	2 .. 110 °C	Liquid temp:	20 °C	Density:	998.2 kg/m ³	TF class:	110	Approvals on nameplate:	CE	Pump housing:	Cast iron EN-JL1030 ASTM 30 B	Impeller:	Composite, PES/PP	Amb. max at 80 dgr C liquid:	80 °C	Maximum operating pressure:	10 bar	Pipe connection:	G 1 1/2	Pressure stage:	PN 10	Port-to-port length:	130 mm	Power input in speed 1:	40 W	Power input in speed 2:	70 W	Max. power input:	115 W	Mains frequency:	50 Hz	Rated voltage:	1 x 240 V	Current in speed 1:	0.17 A	Current in speed 2:	0.29 A	Current in speed 3:	0.47 A	Capacitor size - run:	2 µF	On request
Liquid temperature range:	2 .. 110 °C																																												
Liquid temp:	20 °C																																												
Density:	998.2 kg/m ³																																												
TF class:	110																																												
Approvals on nameplate:	CE																																												
Pump housing:	Cast iron EN-JL1030 ASTM 30 B																																												
Impeller:	Composite, PES/PP																																												
Amb. max at 80 dgr C liquid:	80 °C																																												
Maximum operating pressure:	10 bar																																												
Pipe connection:	G 1 1/2																																												
Pressure stage:	PN 10																																												
Port-to-port length:	130 mm																																												
Power input in speed 1:	40 W																																												
Power input in speed 2:	70 W																																												
Max. power input:	115 W																																												
Mains frequency:	50 Hz																																												
Rated voltage:	1 x 240 V																																												
Current in speed 1:	0.17 A																																												
Current in speed 2:	0.29 A																																												
Current in speed 3:	0.47 A																																												
Capacitor size - run:	2 µF																																												

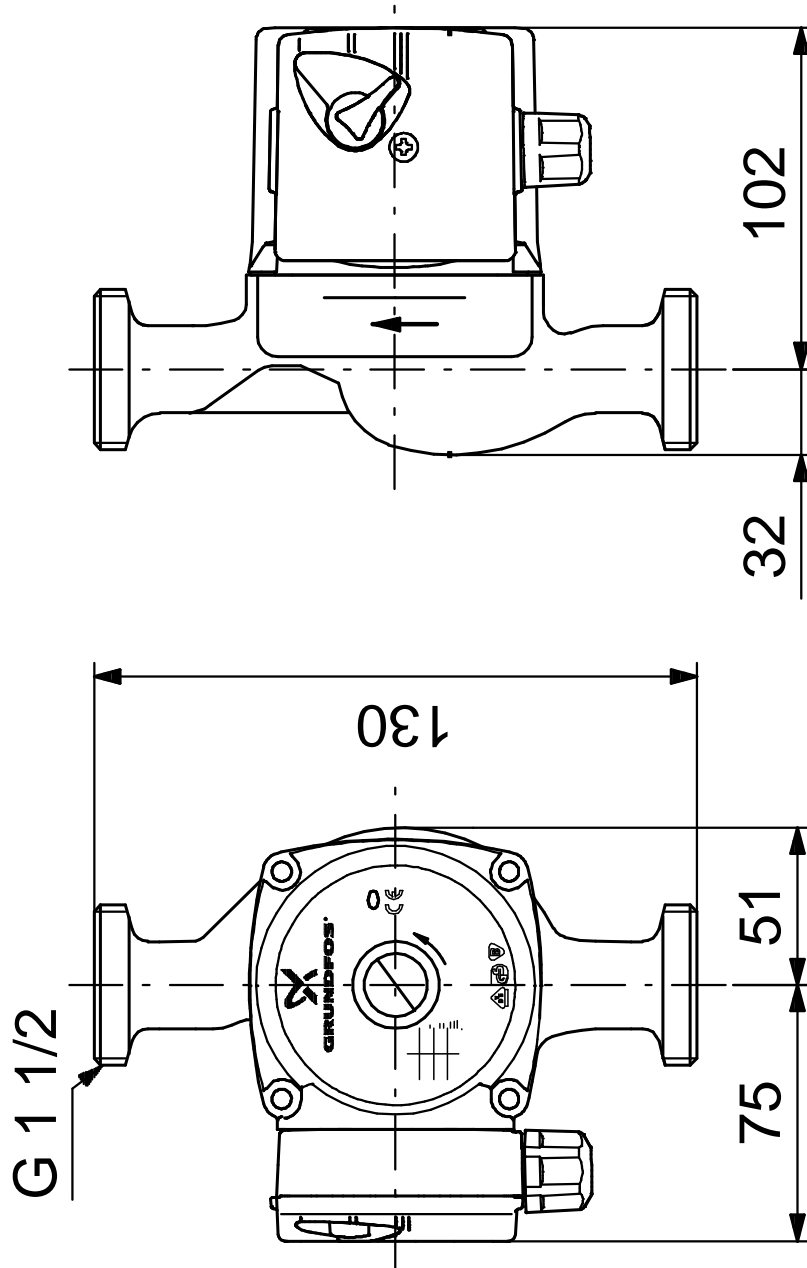
Position	Qty.	Description	Single Price
		Enclosure class (IEC 34-5): 44 Insulation class (IEC 85): F Others: Net weight: 2.4 kg Gross weight: 2.6 kg Shipping volume: 0.004 m3	

59524600 UPS 25-40 130 50 Hz

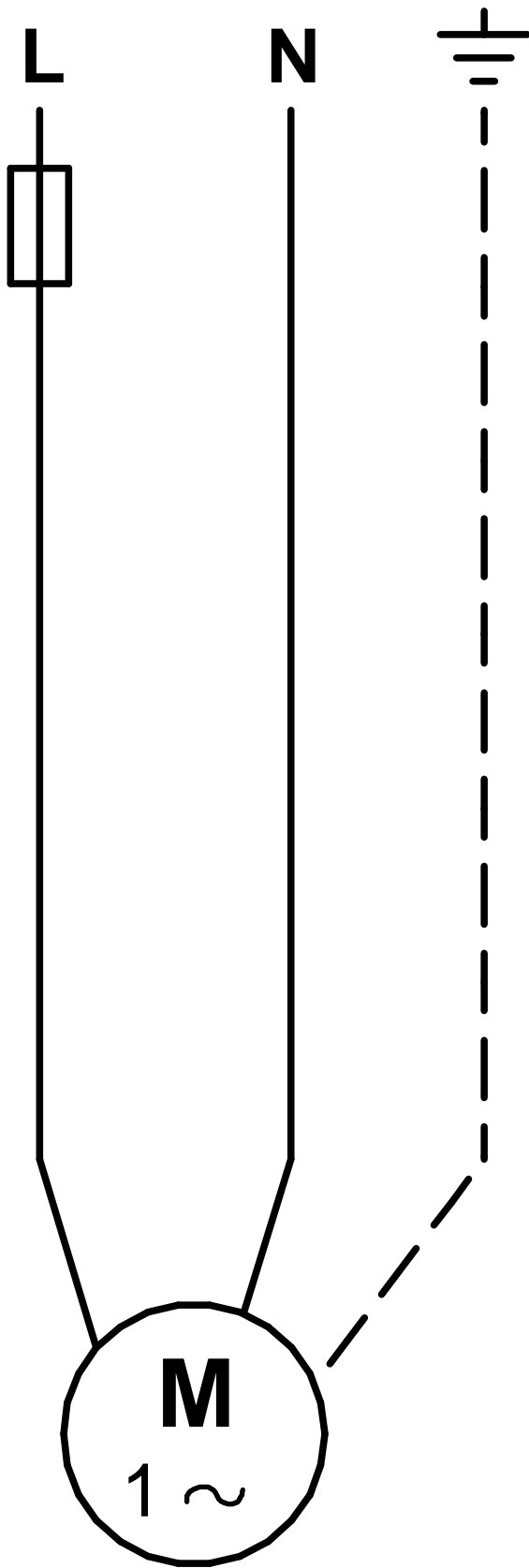


Description	Value
Product name:	UPS 25-40 130
Product No:	59524600
EAN number:	5700390560300
Technical:	
Speed no:	3
Head max:	40 dm
TF class:	110
Approvals on nameplate:	CE
Materials:	
Pump housing:	Cast iron EN-JL1030 ASTM 30 B
Impeller:	Composite, PES/PP
Installation:	
Amb. max at 80 dgr C liquid:	80 °C
Maximum operating pressure:	10 bar
Pipe connection:	G 1 1/2
Pressure stage:	PN 10
Port-to-port length:	130 mm
Liquid:	
Liquid temperature range:	2 .. 110 °C
Liquid temp:	20 °C
Density:	998.2 kg/m ³
Electrical data:	
Power input in speed 1:	40 W
Power input in speed 2:	70 W
Max. power input:	115 W
Mains frequency:	50 Hz
Rated voltage:	1 x 240 V
Current in speed 1:	0.17 A
Current in speed 2:	0.29 A
Current in speed 3:	0.47 A
Capacitor size - run:	2 µF
Enclosure class (IEC 34-5):	44
Insulation class (IEC 85):	F
Motor protec:	NONE
Thermal protec:	Impedance protected
Controls:	
Pos term box:	9H
Others:	
Net weight:	2.4 kg
Gross weight:	2.6 kg
Shipping volume:	0.004 m ³





Note! All units are in [mm] unless others are stated.
Disclaimer: This simplified dimensional drawing does not show all details.



Note! All units are in [mm] unless others are stated.